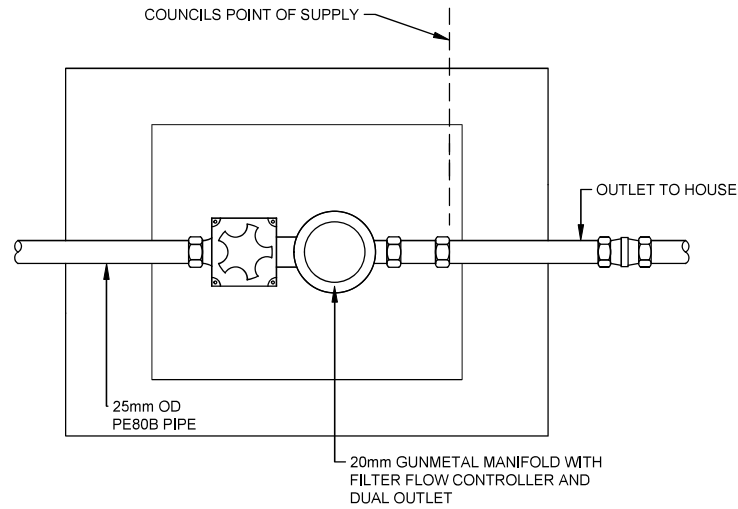
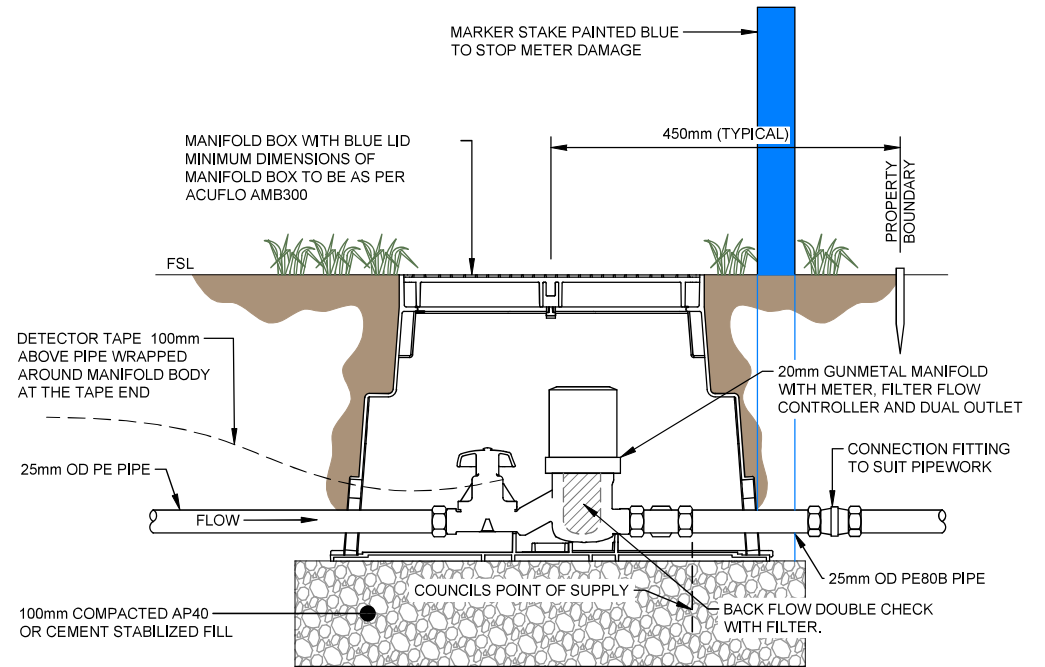


150mm
100
50
0
10mm



MANIFOLD - PLAN VIEW



MANIFOLD - ELEVATION

NOTE:

1. ALL DIMENSIONS IN MILLIMETRES.
2. SERVICE TO BE LAID TO THE CENTRE OF THE FRONT PROPERTY BOUNDARY AND AT RIGHT ANGLES TO STREET BOUNDARY.
3. 100mm COMPACTED AP40 OR CEMENT STABILIZED FILL UNDERNEATH MANIFOLD BOX



STANDARD DETAILS

**WATER SERVICE CONNECTION
DUAL RESTRICTED SUPPLY MANIFOLD**

Drawn	J. GOODMAN	Designed	KCDC
Approved	B. MAGUIRE	Revision Date	OCTOBER 2020
Scale	NOT TO SCALE	Drawing No.	HDC-WS-014
		Revision	R0