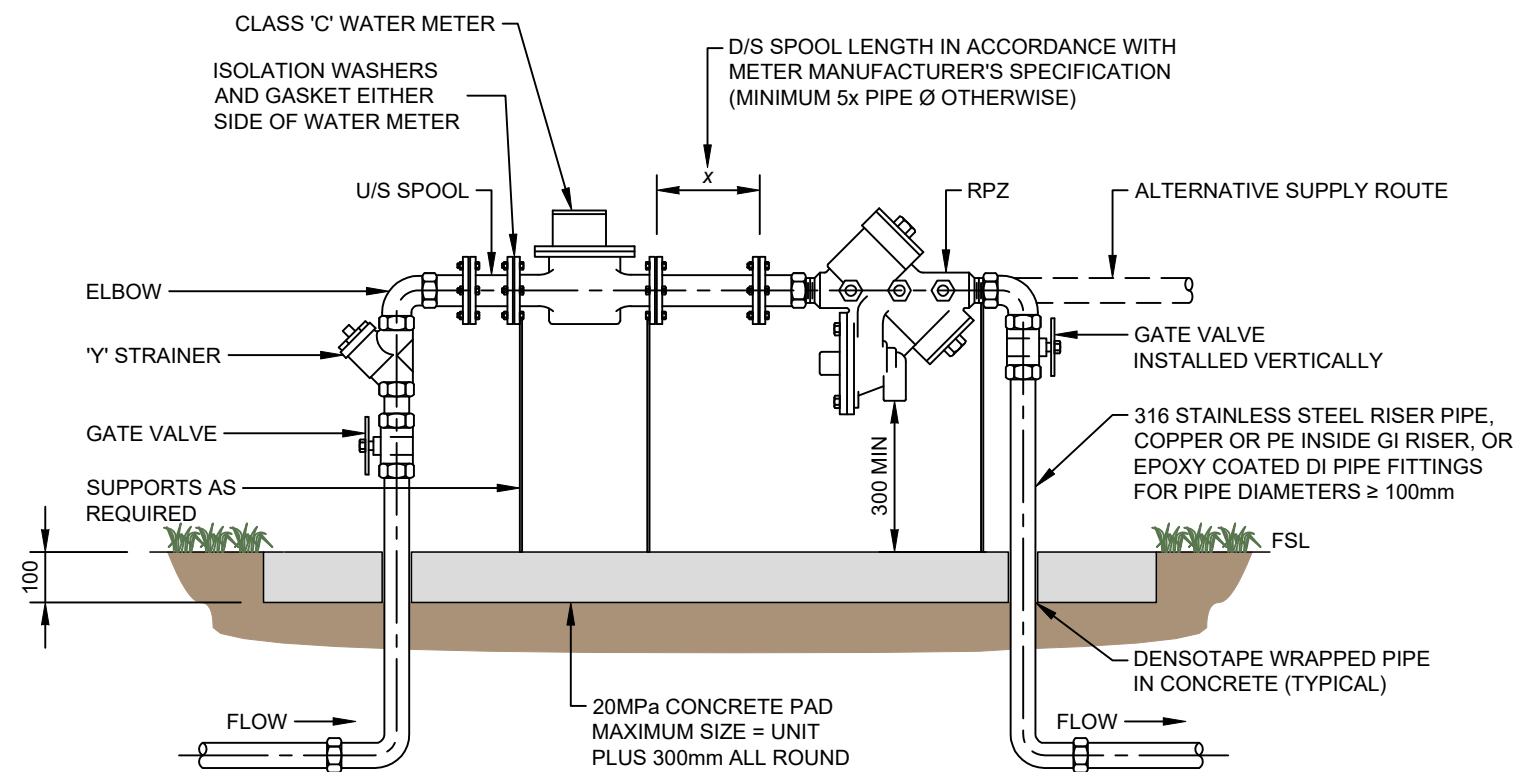


150mm
100
50
10mm
0



**TYPICAL 50mm METER
INSTALLATION WITH RPZ**

NOTE:

1. ALL DIMENSIONS IN MILLIMETRES.
2. PROTECTIVE CAGE TO BE APPROVED BY ENGINEER.
3. ABOVE GROUND COMPONENTS PARALLEL WITH BOUNDARY.
4. ELBOWS AND SPOOLS ABOVE GROUND SHALL BE DZR BRASS OR S/S.
5. FOR DIAMETER ≥ 50 mm, REFER TO HDC-WS-013.
6. APPROVED TESTABLE DOUBLE DETECTOR CHECK VALVE ASSEMBLY WITH BYPASS METER, AS PER N.Z. BUILDING CODE G12 TO PREVENT BACKFLOW HAZARD.
7. UPSTREAM AND DOWNSTREAM METER CLEARANCE AS PER MANUFACTURERS SPECIFICATION.



STANDARD DETAILS

**WATER SERVICE CONNECTION
50mm METER INSTALLATION WITH RPZ**

Drawn	Designed	
J. GOODMAN	KCDC	
Approved	Revision Date	
B. MAGUIRE	OCTOBER 2020	
Scale	Drawing No.	Revision
NOT TO SCALE	HDC-WS-012	R0