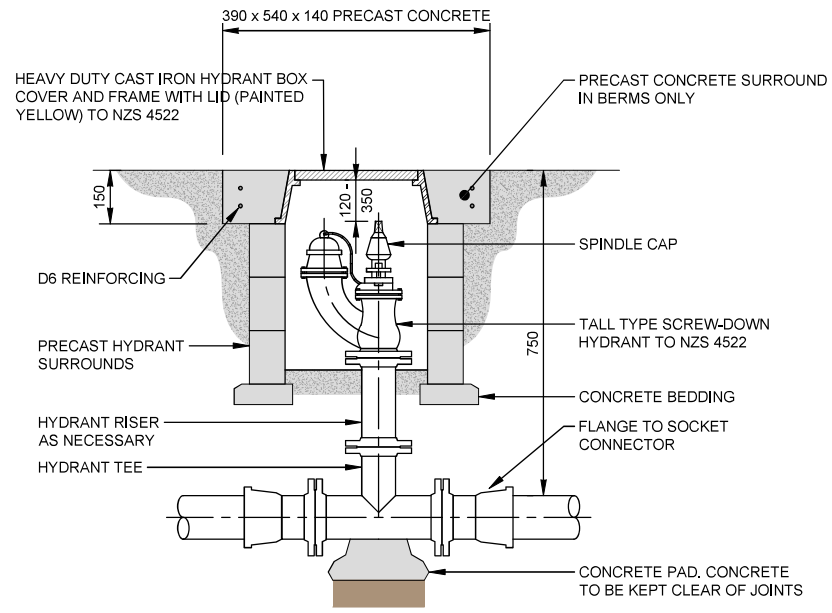
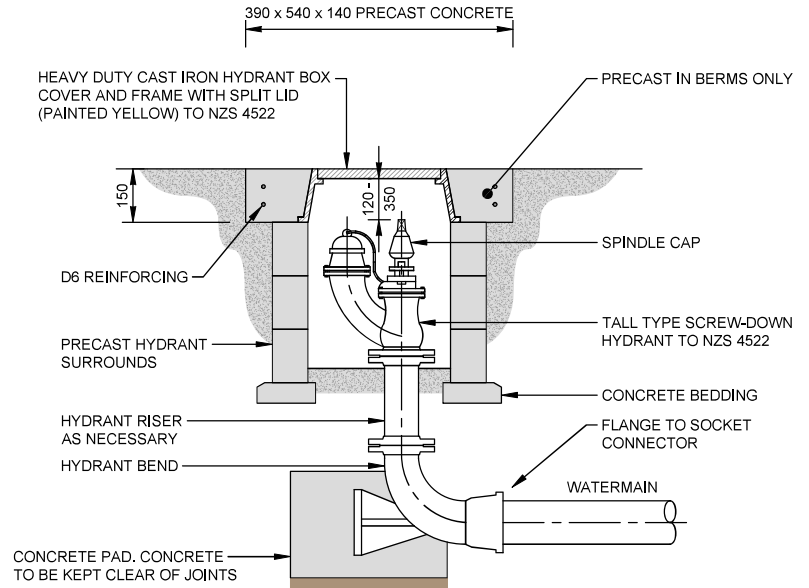


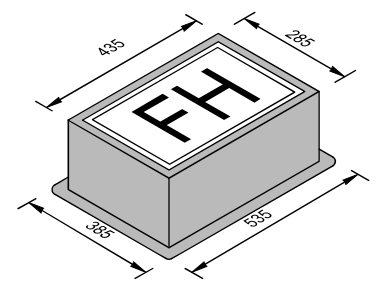
150mm  
100  
50  
0  
10mm



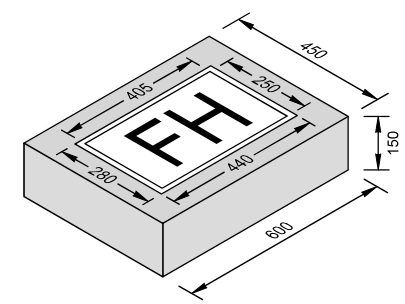
**FIRE HYDRANT BOX**



**TERMINAL HYDRANT BOX**



**CAST IRON LID  
TO BE USED IN FOOTPATHS,  
VEHICLE CROSSINGS &  
CARRIAGEWAYS**



**PRECAST CONCRETE CI LID  
BERM USE ONLY**

**NOTE:**

1. ALL DIMENSIONS IN MILLIMETRES.
2. DEPTH OF MAIN 750mm COVER.
3. DIMENSIONS DEPENDANT ON SUPPLIER.
4. DUCKSFOOT FIRE HYDRANTS ONLY AVAILABLE IN 100mm.



**STANDARD DETAILS**

**MAINS AND RIDER MAINS  
FIRE HYDRANTS**

Drawn	J. GOODMAN	Designed	KCDC
Approved	B. MAGUIRE	Revision Date	OCTOBER 2020
Scale	NOT TO SCALE	Drawing No.	HDC-WS-008
		Revision	R0