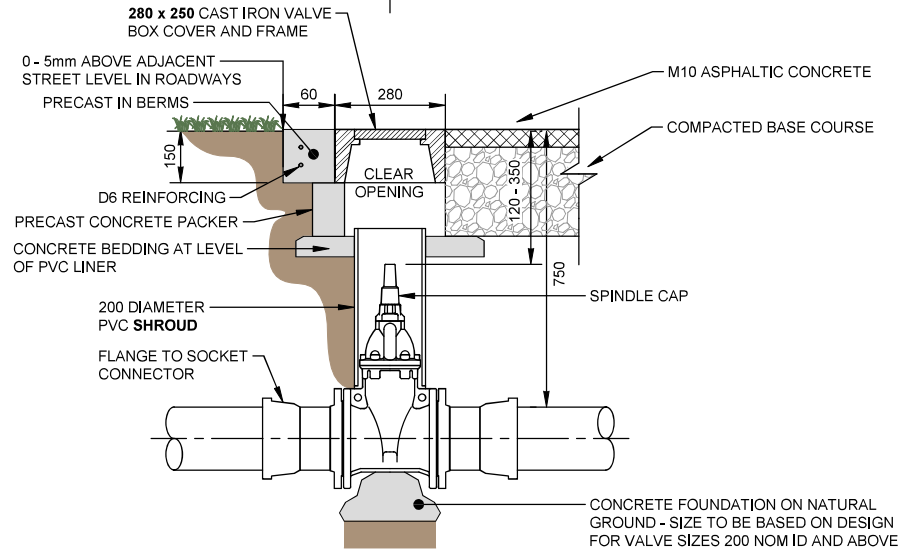
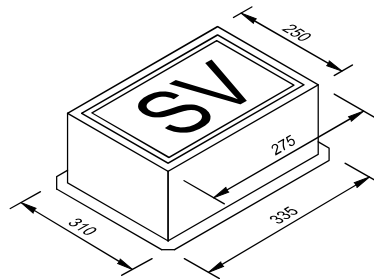


150mm
100
50
0
10mm

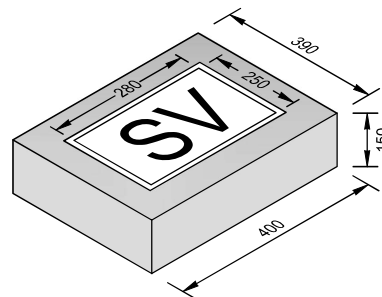
SLUICE VALVE BOX WITHIN BERM SLUICE VALVE BOX WITHIN ASPHALT



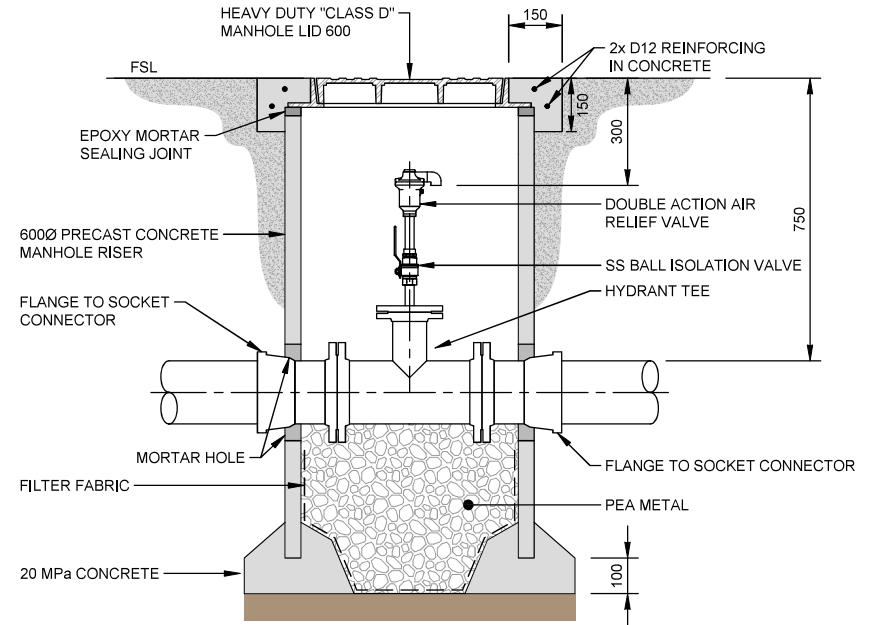
SLUICE VALVE BOX ON MAINS LINES



CAST IRON LID
TO BE USED IN FOOTPATHS,
VEHICLE CROSSINGS &
CARRIAGEWAYS



PRECAST CONCRETE CI LID



AIR RELEASE VALVE

NOTE:

1. ALL DIMENSIONS IN MILLIMETRES.



STANDARD DETAILS

MAINS AND RIDER MAINS
SLUICE VALVE BOX AND AIR RELEASE VALVE

Drawn	J. GOODMAN	Designed	KCDC
Approved	B. MAGUIRE	Revision Date	OCTOBER 2020
Scale	NOT TO SCALE	Drawing No.	HDC-WS-007
		Revision	R0