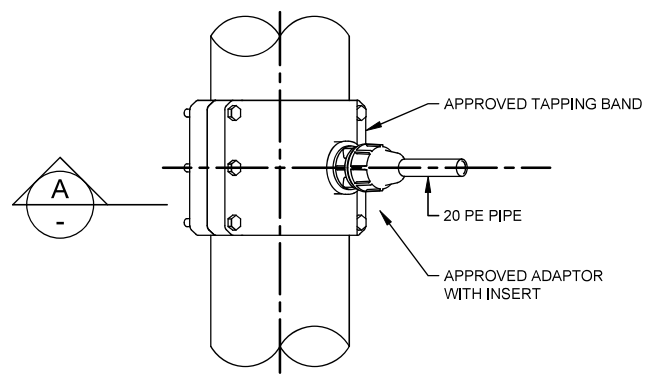
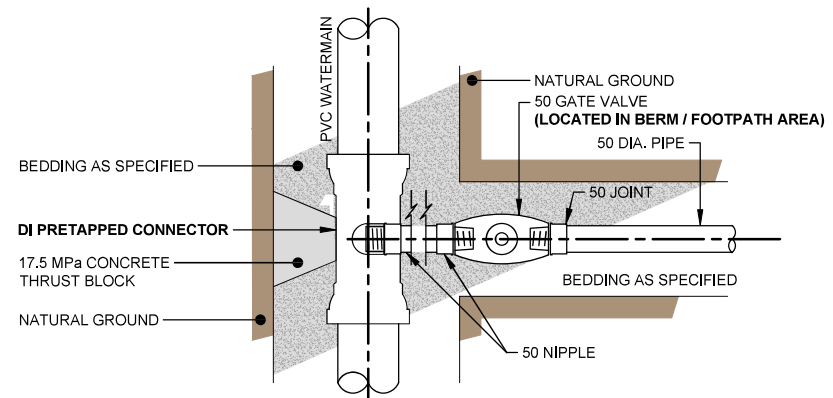


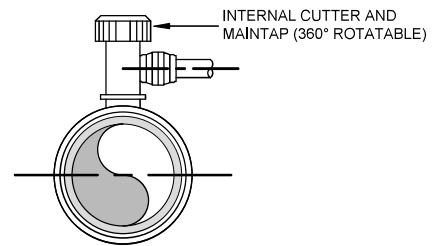
SECTION A



PLAN - STANDARD TAPPING METHODS



90° CONNECTION - PLAN RIDER MAIN CONNECTIONS



ELECTROFUSION TAPPING SADDLE PE PIPE

**NOTE:**

1. ALL DIMENSIONS IN MILLIMETRES.
2. USE METAL GATE VALVE ON 20mm CONNECTIONS WHERE REQUIRED BY **COUNCIL** OR WHERE SHUTTING DOWN MAIN TO REPAIR SERVICE WOULD CAUSE SIGNIFICANT INTERRUPTION TO SUPPLY.
3. USE PROPRIETARY IN LINE METAL VALVES APPROVED BY **COUNCIL** WHEN MAIN IS TAPPED UNDER PRESSURE. WHERE POSSIBLE, LAY SERVICE CONNECTIONS AND RIDER CONNECTIONS TO PRINCIPAL MAIN.
4. INSTALL METALLIC **WARNING** TAPE ON ALL WATERMAINS AND LATERALS.
5. RIDER MAINS **TO BE INSTALLED** FOR SERVICE CONNECTIONS TO PRINCIPAL MAIN USE DI PRETAPPED CONNECTORS FOR LARGE SERVICE CONNECTIONS AND RIDERMAINS.
6. **STANDARD COVER FOR 100+150 WATERMAINS, 750mm COVER**
7. **STANDARD COVER FOR 63mm RIDERMAINS, 600mm COVER**
8. **DOMESTIC FITTINGS (NIPPLES, THREADED PIPE) NOT PERMITTED IN RETICULATION**

© Copyright Standards New Zealand 2011. Drawings from NZS 4404:2010 have been reproduced with permission from Standards New Zealand under Copyright Licence 000904. Refer to the complete Standard available for purchase from Standards New Zealand.  
HDC AMENDMENTS TO NZS 4404:2010 SHOWN IN **BOLD**.



**STANDARD DETAILS**

PROPERTY SERVICES  
CONNECTION TO MAIN

Drawn	J. GOODMAN	Designed	KCDC
Approved	B. MAGUIRE	Revision Date	OCTOBER 2020
Scale	NOT TO SCALE	Drawing No.	HDC-WS-003
		Revision	R0