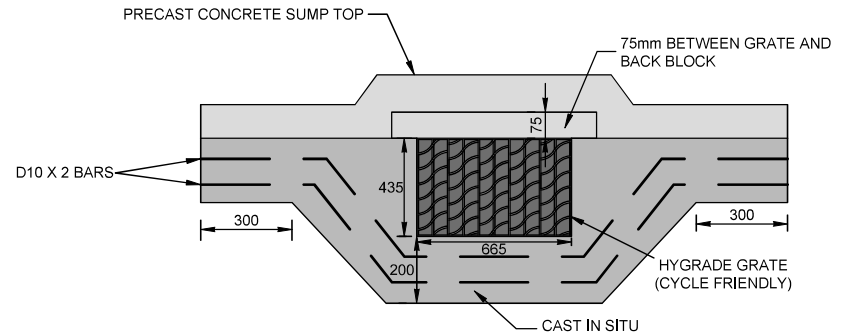
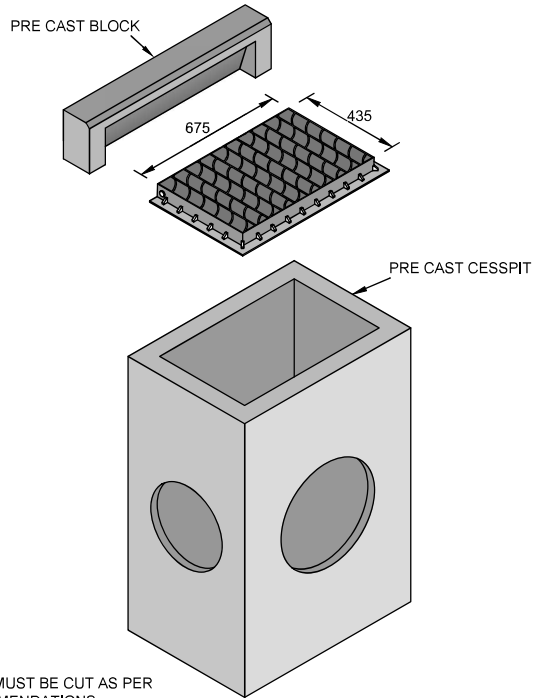
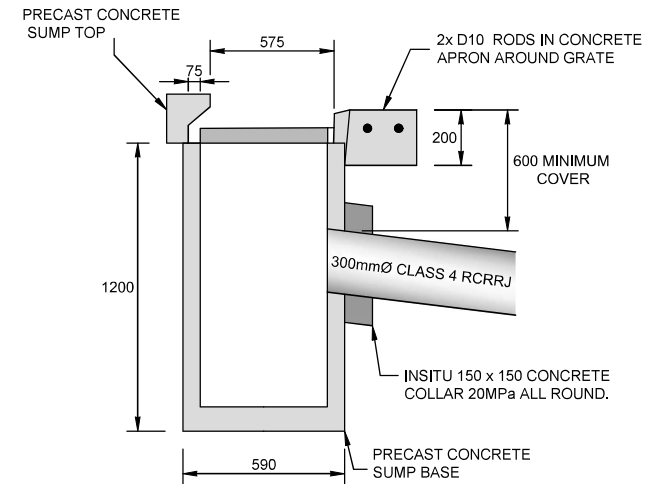
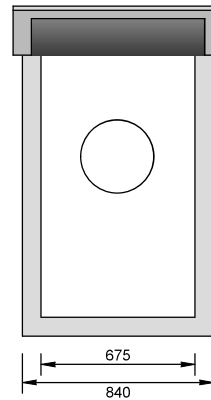


150mm
100
50
10mm
0



NOTE:

1. ALL CONCRETE PIPES MUST BE CUT AS PER MANUFACTURES RECOMENDATIONS.
2. CONCRETE PIPE FACES TO BE WIREBRUSHED AND EPOXIED.
3. SUMP DEPTH 1.2m.
4. DO NOT BOLT DOWN GRATES FOR CLEANING PURPOSES.
5. 2x D10 BARS IN CONCRETE APRON AROUND GRATE.
6. PRECAST SUMP BACK
 - STANDARD PRECAST FOR SMALL FLOWS
 - HIGHFLOW PRECAST BACK FOR HIGH FLOWS
7. HIGHFLOW PRECAST SUMP BACKS CAN BE USED ON SINGLE SUMPS IN RESIDENTAL AREAS INSTEAD OF DOUBLE SUMPS WITH STANDARD PRECAST BACKS TO INCREASE FLOWS.
8. LITTER TRAPS TO BE INSTALLED IN SHOPPING AREAS AND CATCHMENT AREAS.
9. ENVIRO PODS TO BE INSTALLED WITH SOAKPITS.
10. IF PVC SN16 IS USED FOR STORMWATER, DOUBLE FLEXI JOINTS MUST BE INSTALLED AT MANHOLES. TWO FLEXIBLE JOINTS WITHIN 750mm. FLEXI JOINTS VARY ON SIZE OF PIPE.
11. CONCRETE PIPES REQUIRE ONE FLEXIBLE JOINT WITHIN 750mm OF ALL MANHOLES.
12. ALL SUMP LEADS CLASS 4 CONCRETE.
13. ALL SUMPS AND SUMP LEADS, MUST BE INCLUDED IN RAMM ASBUILT DATA.
14. FOR USE IN ALTERNATIVE LOCATIONS OTHER THAN RIGHT OF WAYS OR SOAKPITS, HOROWHENUA DISTRICT COUNCIL APPROVAL IS REQUIRED.



STANDARD DETAILS

**SINGLE STANDARD SUMP
RIGHT OF WAY / SOAKPITS**

Drawn	J. GOODMAN	Designed	KCDC
Approved	B. MAGUIRE	Revision Date	OCTOBER 2020
Scale	NOT TO SCALE	Drawing No.	HDC-SW-005
		Revision	R0