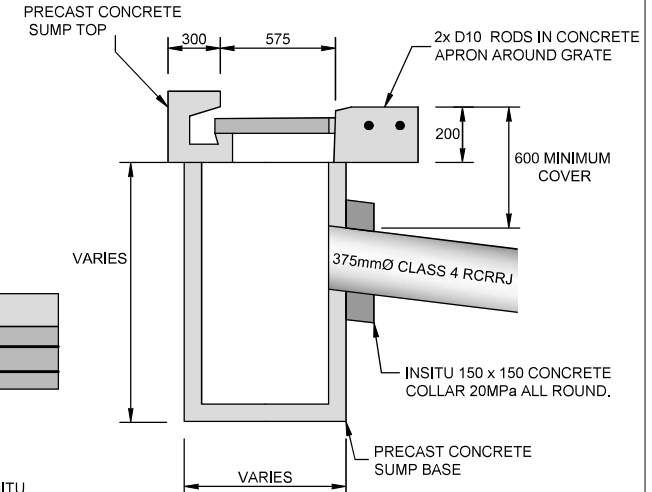
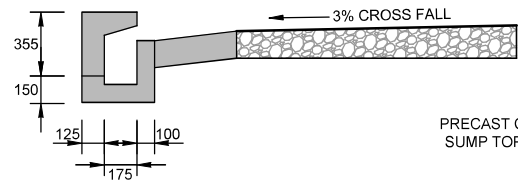
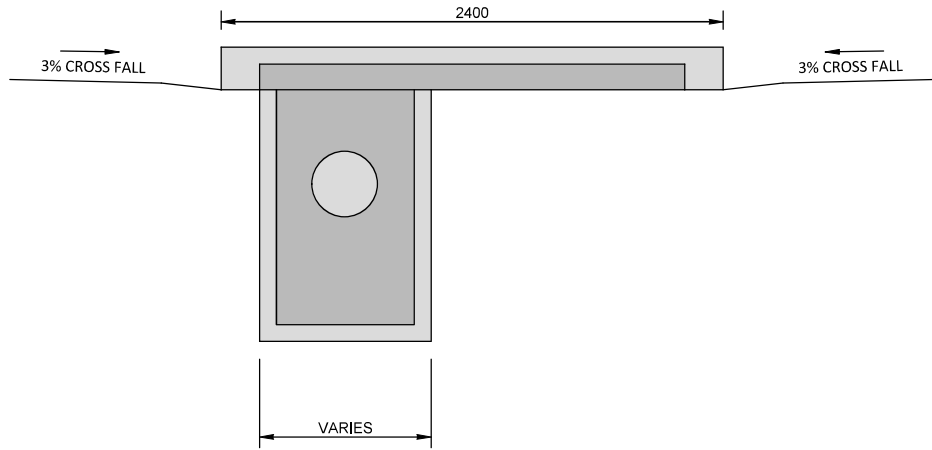
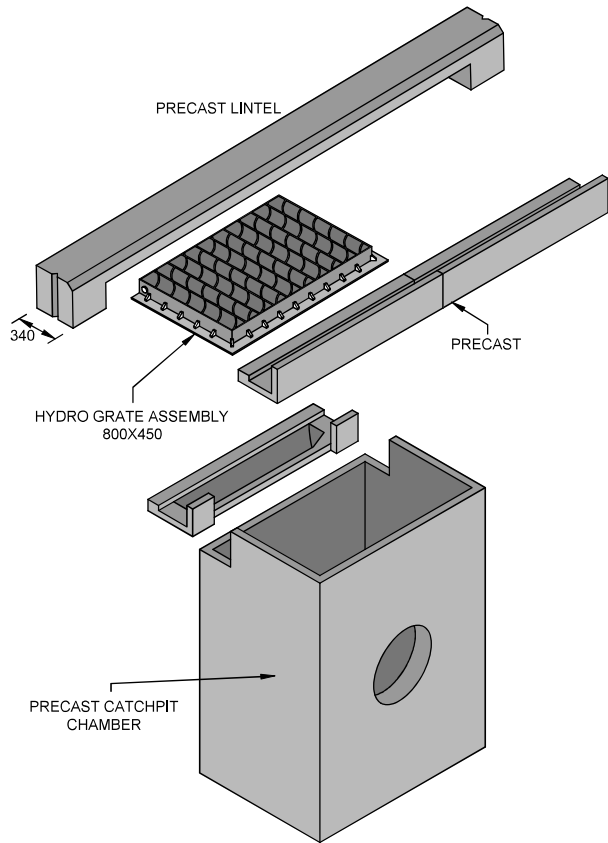
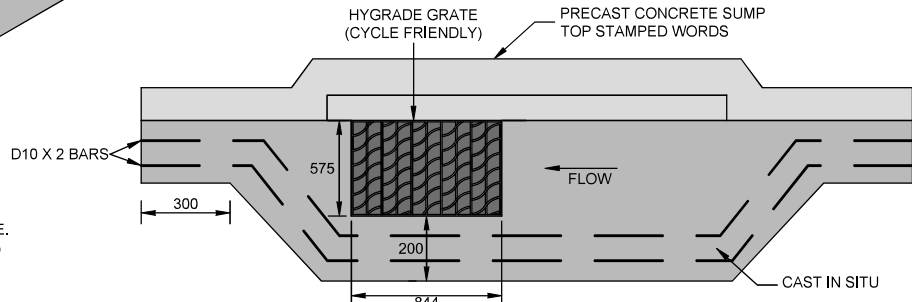


150mm
100
50
10mm
0



NOTE:

1. ALL CONCRETE PIPES MUST BE CUT AS PER MANUFACTURES RECOMENDATIONS.
2. CONCRETE PIPE FACES TO BE WIREBRUSHED AND EPOXYED.
3. SUMP DEPTH VARIES.
4. DO NOT BOLT DOWN GRATES FOR CLEANING PURPOSES.
5. 2x D10 BARS IN CONCRETE APRON AROUND GRATE.
6. LITTER TRAPS TO BE INSTALLED IN SHOPPING AND CATCHMENT AREAS.
7. ENVIRO PODS TO BE INSTALLED WITH SOAKPITS.
8. ALL SUMP LEADS CLASS 4
9. IF PVC SN16 PIPE IS USED FOR STORMWATER, INSTALL 2x FLEXIBLE JOINTS WITHIN 750mm OF MANHOLES. FLEXI JOINTS VARY TO PIPE SIZE
10. ALL SUMP AND SUMP LEADS, MUST BE INCLUDED IN RAMM ASBUILT DATA.
11. FLEXI JOINTS VARY WITH PIPE SIZE, 300Ø 2 FLEXI JOINTS WITHIN 1500mm



STANDARD DETAILS

HIGH FLOW SUMP

Drawn	Designed	
J. GOODMAN	KCDC	
Approved	Revision Date	
B. MAGUIRE	OCTOBER 2020	
Scale	Drawing No.	Revision
NOT TO SCALE	HDC-SW-003	R0