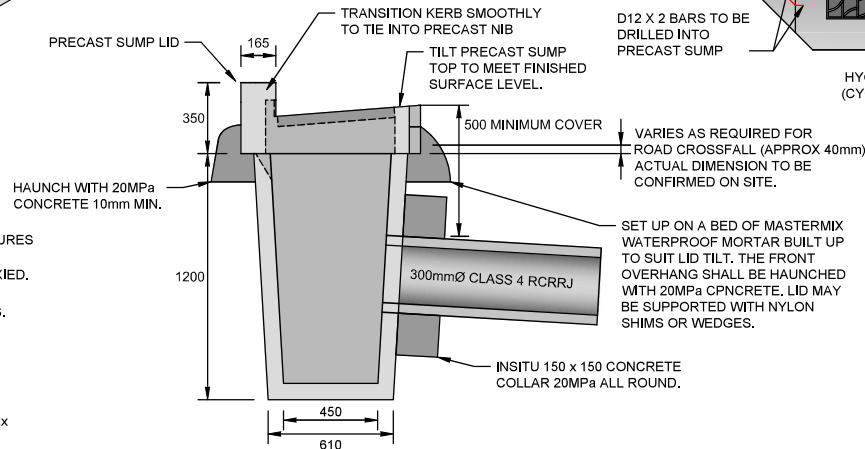
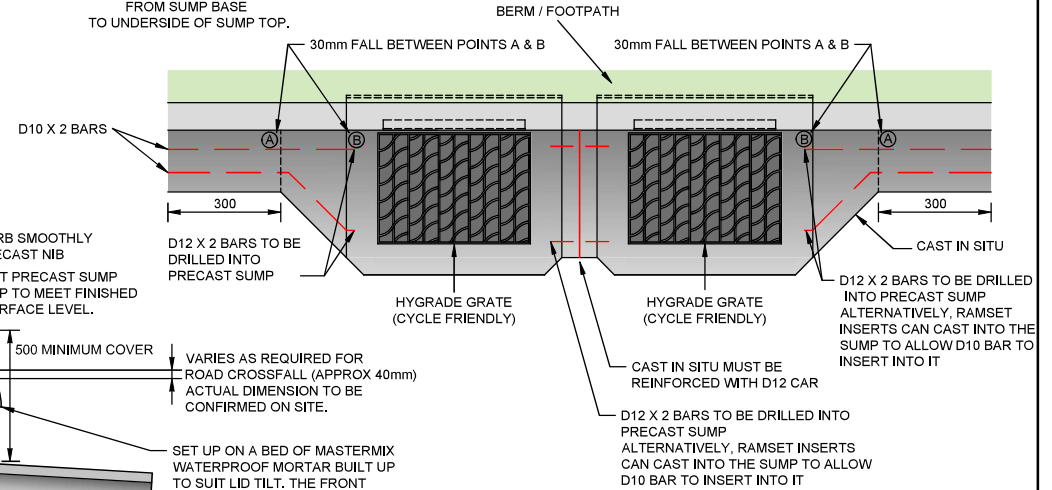
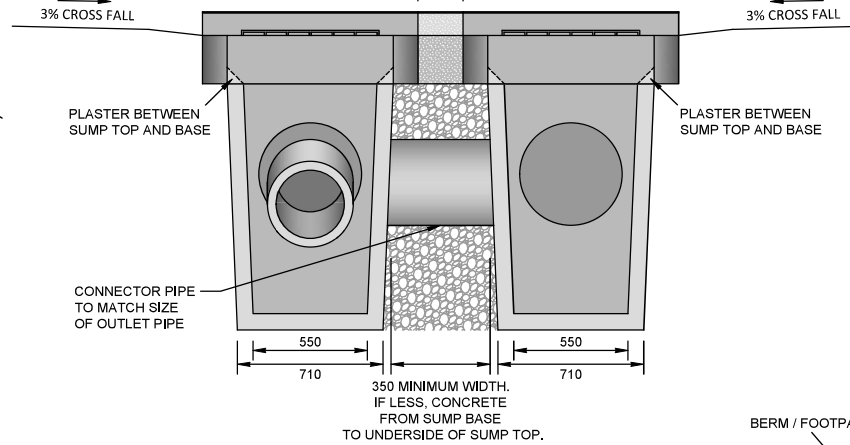
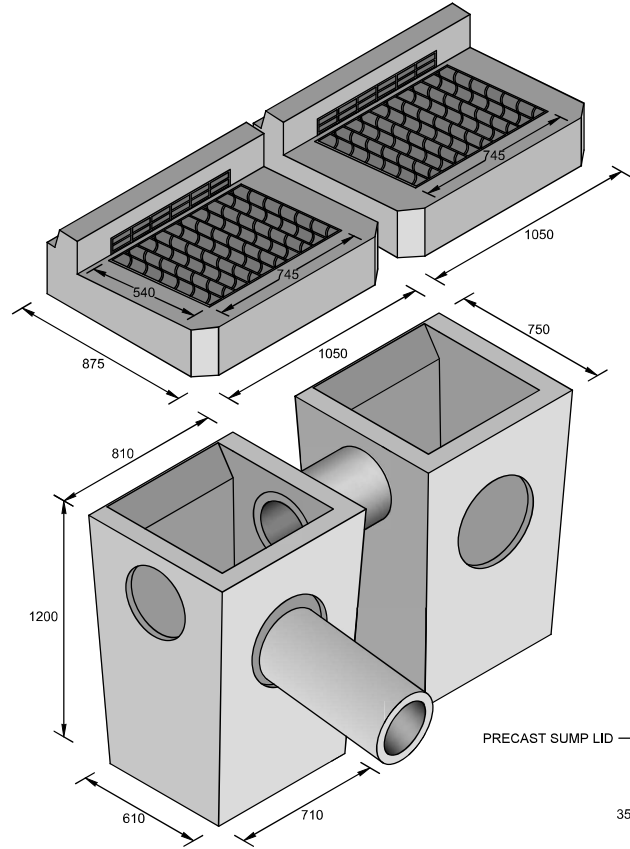


SUMP BLOCKS TO BE INSTALLED WITH EITHER NO GAP OR A MINIMUM GAP OF 110mm. WHERE THERE IS NO GAP A FLEXIBLE EPOXY MORTAR MUST BE USED TO SEAL THEM TOGETHER.

150mm  
100  
50  
0  
10mm



**NOTE:**

1. ALL CONCRETE PIPES MUST BE CUT AS PER MANUFACTURERS RECOMENDATIONS.
2. CONCRETE PIPE FACES TO BE WIREBRUSHED AND EPOXIED.
3. SUMP DEPTH 1.2m.
4. DO NOT BOLT DOWN GRATES FOR CLEANING PURPOSES.
5. 2x D10 BARS IN CONCRETE APRON AROUND GRATE.
6. LITTER TRAPS TO BE INSTALLED IN SHOPPING AND CATCHMENT AREAS.
7. ENVIRO PODS TO BE INSTALLED WITH SOAKPITS.
8. ALL SUMP LEADS CLASS 4 CONCRETE.
9. IF PVC SN16 PIPE IS USED FOR STORMWATER, INSTALL 2x FLEXIBLE JOINTS WITHIN 750mm OF MANHOLES.
10. ALL SUMPS AND SUMP LEADS MUST BE INCLUDED IN RAMM ASBUILT DATA.
11. MINIMUM GAP BETWEEN PRECAST SUMP TOPS 110mm UNLESS INSTALLED WITHOUT GAP.
12. IF PRECAST SUMP TOPS INSTALLED WITH NO GAP, CONCRETE ABOVE AND BELOW CONNECTING PIPE, TO SUMP BASE.
13. BACK GRATE TO BE INSTALLED SUBJECT TO ENGINEERS APPROVAL
14. PLEASE REFER TO DRAWING HDC-SW-005 FOR CAST IN SITU



**STANDARD DETAILS**

**STANDARD DOUBLE SUMPS**

Drawn	J. GOODMAN	Designed	KCDC
Approved	B. MAGUIRE	Revision Date	OCTOBER 2020
Scale	NOT TO SCALE	Drawing No.	HDC-SW-002
		Revision	R0