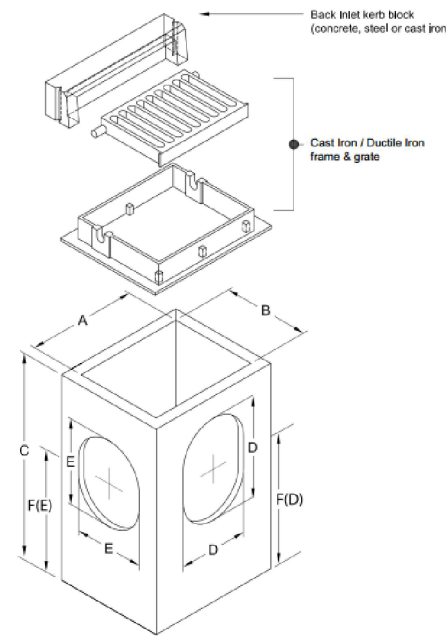


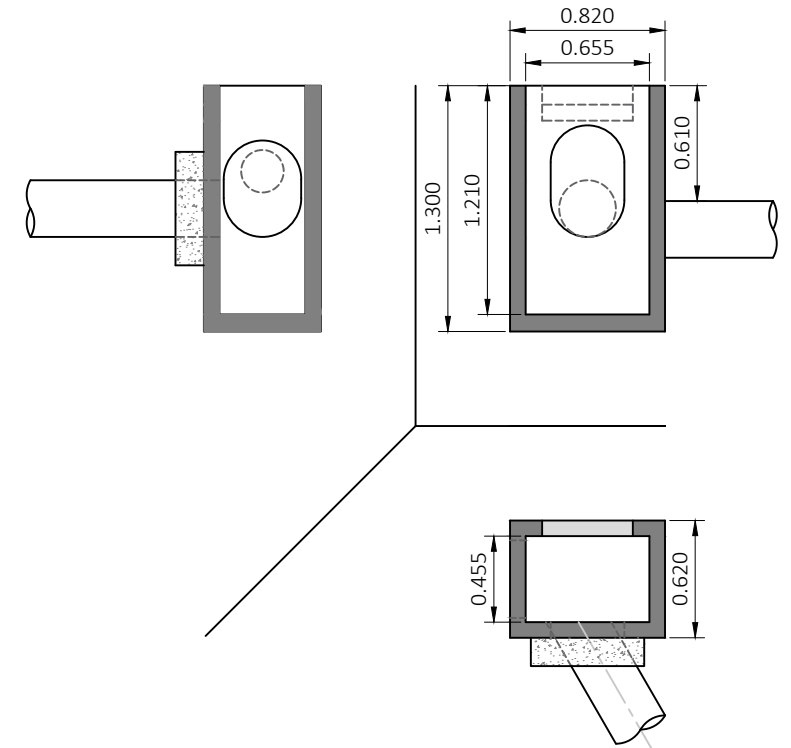
PRECAST BACK ENTRY KERB & STORMWATER GRATE FRAME



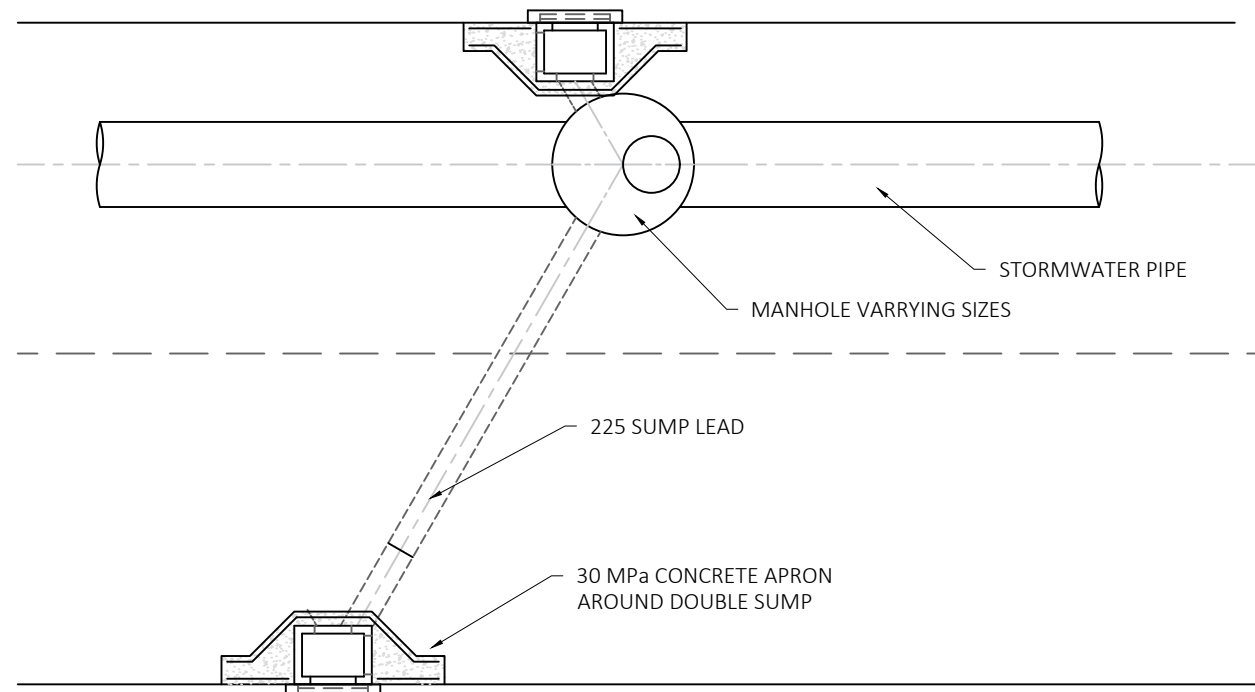
TYPICAL HYDRO STORM WATER GRATE AND FRAME WITH KERB BACK ENTRY
(HYNDS TECHNICAL GUIDE SP2.5)



TYPICAL SUMP - GRATE & KERB BACK ENTRY INSTALLATION
(HYNDS 2016)



SINGLE SUMP INSTALLATION PRECAST CONCRETE



SUMP AND MANHOLE CONNECTIVITY

NOTES :

1. ALL DIMENSIONS ARE IN METRES
2. SUMPS TO BE FITTED WITH REMOVABLE GROSS POLLUTANT FILTER BAG (EG: HUMES "LITTATRAP" OR APPROVED SIMILAR)

CONTRACT :	URBAN DEVELOPMENT STANDARD DRAWINGS
PROJECT :	SUMP & MANHOLE
TITLE :	TYPICAL DETAILS

REV	DATE	ADDENDUM	DRAFTED	CHECKED	APPROVED

	NAME	DATE
SURVEYED		
DESIGNED	M.F, D.C	
DRAWN	M.F	
CHECKED	C.C, B.T	
APPROVED	J.W	

A3

APPROVED	
SCALE	AS SHOWN
SHEET #	SD20 - 015
DATE	NOV. 2020
PROJ. CODE	